



*Rely on it.*

## RENOLIT ALKORDESIGN



EXCELLENCE  
IN ROOFING



## The RENOLIT ALKORDESIGN system

The RENOLIT ALKORDESIGN system simulates the appearance of standing seam and lead roll roofs without the weight and expense of aluminium, zinc, copper or lead, and the heavy duty roof structure required to support them. The system has been developed for waterproofing roofs with an aesthetical design requirement from: horizontal, vertical, pitched, as well as curved roofs. RENOLIT ALKORDESIGN can be applied not only on simple roof designs but also on complex roof structures. This system is in constant use throughout Europe for new and refurbishment projects.

Many architects and clients would choose the aesthetic appeal of the traditional zinc (or copper) roofs, but are deterred by the high cost associated with these products. The RENOLIT ALKORDESIGN system provides cost savings up to 40%, due to a number of factors:

- Low material costs: in recent years the differential between synthetic material costs and a variety of metal systems has widened dramatically, making the use of the RENOLIT ALKORDESIGN system much more attractive, without having to compromise on the finished appearance of the building.
- Fast and easy installation, the simplicity of installation even on roofs with complex curves or steep slopes ensures a fast and watertight solution, backed by the design expertise of the RENOLIT UK technical dept and the experience of the RENOLIT Approved Contractors. (see [www.renolit.com/roofing](http://www.renolit.com/roofing)).



Private houses (The Netherlands)



## The advantages of the RENOLIT ALKORDESIGN system

RENOLIT ALKORDESIGN system simulates the appearance of standing seam and lead roll roofs without the weight and expense of aluminium, zinc, copper or lead, and the heavy duty roof structure required to support them.

RENOLIT ALKORPLAN extruded profiles are welded to the RENOLIT ALKORPLAN roof sheet, providing the aesthetic appeal of a seamed or rolled metal roof with all the advantages of single ply:

- Waterproof system with welded seams impervious to driving rain.
- The high water vapour transmission rate of RENOLIT ALKORPLAN allows the roof to breathe, reducing the risk of condensation and avoiding ventilation problems.

- Fast installation times produce cost savings of up to 40%.
- The flexibility of RENOLIT ALKORPLAN allows slopes, valleys and contours to be waterproofed easily.
- Light weight of membrane and roofing system.
- Limited maintenance  
A visual inspection and routine clearing of gutters and outlets is all that is generally required.
- The warm roof solution that is offered with the RENOLIT ALKORDESIGN system helps reducing indoor noises (hail, rainfall, ...).



Novotel (UK)



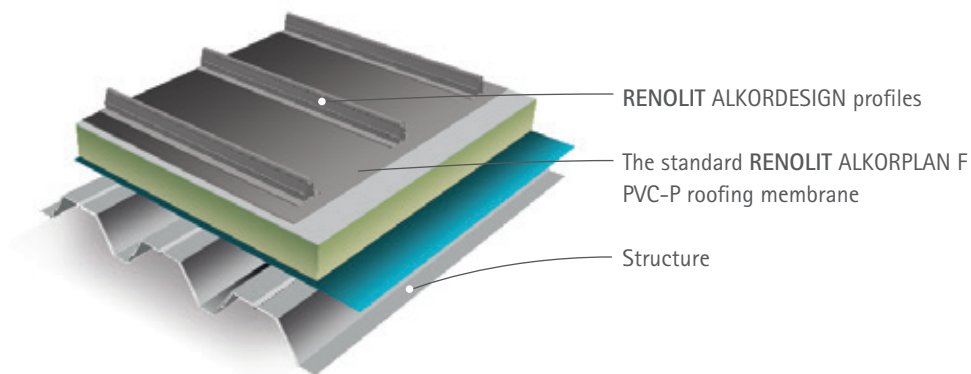
Royal Veterinary College (UK)



Golf Club House (The Netherlands)



## An economical approach to aesthetic roofing



### A passion for waterproofing

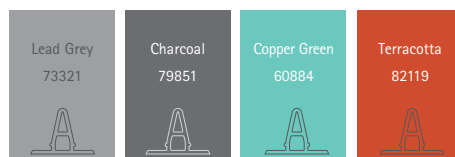
The RENOLIT ALKORDESIGN system consists of 2 elements:

- the standard RENOLIT ALKORPLAN F PVC-P roofing membrane
- Extruded RENOLIT ALKORPLAN PVC-P profiles, hot air welded to the roofing membrane.

The pattern of the profiles can be adapted to suit a wide variety of designs and architectural requirements.

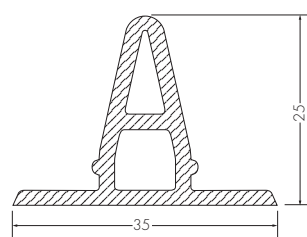
### Colours

RENOLIT WATERPROOFING has developed a colour range for the RENOLIT ALKORDESIGN system, available from stock for UK and Ireland.

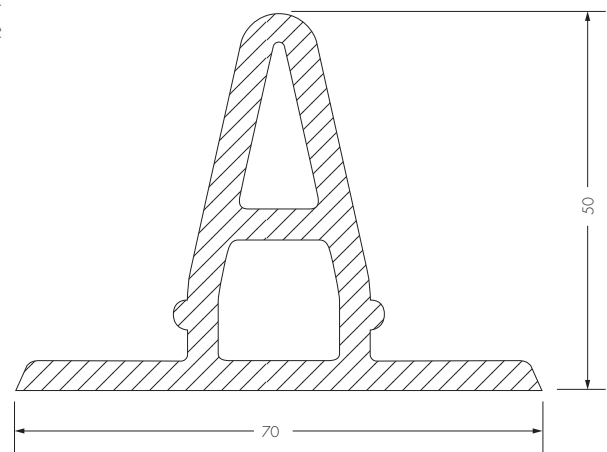


Other colours are available on a special make basis. The colour availability for other countries will depend on the geographic location of the building.

There are two standard profile designs: the L profile and the X-Large profile.



RENOLIT ALKORDESIGN profile Large



RENOLIT ALKORDESIGN profile X-Large

## RENOLIT ALKORPLAN METALLIC membranes

As a variant to the standard RENOLIT ALKORDESIGN system (roofing membrane + profiles), RENOLIT has developed a new range of RENOLIT ALKORPLAN METALLIC membranes. These membranes in metallic silver and copper colour are part of the range of waterproofing membranes for roofscapes which are visible. They have a special surface structure that accentuates the metallic effect. The silver and copper coloured profiles are welded

to the new membranes in the same way as the standard RENOLIT ALKORDESIGN system.





The information contained in the present commercial literature has been given in good faith and with the intention of providing information. It is based on current knowledge at the time of issue, and may be subject to change without notice. Nothing contained herein may induce the application of our products without observing existing patents, certificates, legal regulations, national or local rules, technical approvals or technical specifications or the rules and practices of good workmanship for this profession. The purchaser should verify whether import, advertising, packaging, labelling, composition, possession, ownership and the use of our products or the commercialisation of them are subject to specific territorial rules. He is also the sole person responsible for informing and advising the final end user. When faced with specific cases or application details not dealt with in the present guidelines, it is important to contact our technical services, who will give advice, based on the information at hand and within the limitations of their field of expertise. Our technical services cannot be held responsible for the conception of, nor the execution of the works. In the case of negligence of rules, regulations and duties on the part of the purchaser we will disclaim all responsibility. The colours respect the UV resistance required by EOTA, but are still subject to the natural change over time. Are excluded from the guarantee: aesthetic considerations in case of partial repair of deficient membrane covered by the guarantee. The product availability differs from country to country, please refer to the RENOLIT technical department for further advice.

[WWW.RENOLIT.COM/ROOFING](http://WWW.RENOLIT.COM/ROOFING)



The British Board of Agrément have assessed the life expectancy of RENOLIT ALKORPLAN F used in the United Kingdom to be in excess of 35 years.



RENOLIT ALKORPLAN roofing products and system have a standard guarantee of 10 years, and are installed by approved contractors and installers who are trained and assessed by RENOLIT.



All RENOLIT waterproofing membranes for roofing are part of the ROOFCOLLECT collection and recycling programme.



The RENOLIT Iberica S.A. factory at Barcelona is approved to ISO 9001/14001.



RENOLIT Cramlington Ltd, Station Road - Cramlington, Northumberland NE23 8AQ - United Kingdom  
T +44 1670 718283 - F +44 1670 590096 - [renolit.cramlington@renolit.com](mailto:renolit.cramlington@renolit.com)

LAYDEX Ltd. - Unit 3 - Allied Industrial Estate - Kylemore Road - Dublin 10  
T +353(0) 1 642 6600 - F +353 (0) 1 642 6601 - [sales@laydex.ie](mailto:sales@laydex.ie)

LAYDEX (NI) Ltd. - Units 4 & 5 Falcon Way - Belfast BT 12 6 SQT + 44 (0) 2890 382 223 - F + 44 (0) 2890 382 230

RENOLIT Belgium N.V. - Export Dpt. - Industriepark De Bruwaan 43 - 9700 Oudenaarde - Belgium  
T +32 (0)55 33 98 51 - F +32 (0)55 31 86 58 - [renolit.belgium@renolit.com](mailto:renolit.belgium@renolit.com)



Rely on it.